

# Changeover Valves

## Type 7111 - Diverter-Plug-Valve



### Cryogenic Diverter Plug Valves, bronze, PN50

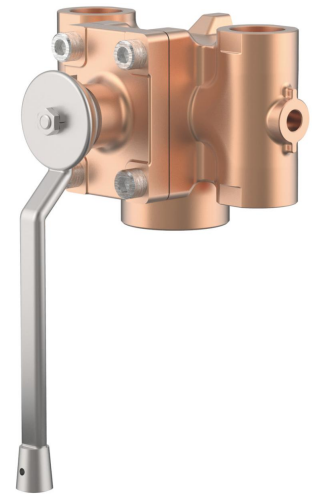
for the installation of two safety valves,  
provided for bursting disc connections,  
"cleaned and degreased for oxygen service"

#### Part No. 7111.X

Female thread connection (G) acc. to ISO 228/1 or  
Female thread connection NPT acc. to ANSI B 1.20.1

Available Options - on request only:

- Inlet with union type braze or butt weld fitting
- Combination of different outlet threads GA<sub>1</sub> - GA<sub>2</sub> - GA<sub>3</sub>



#### Applications:

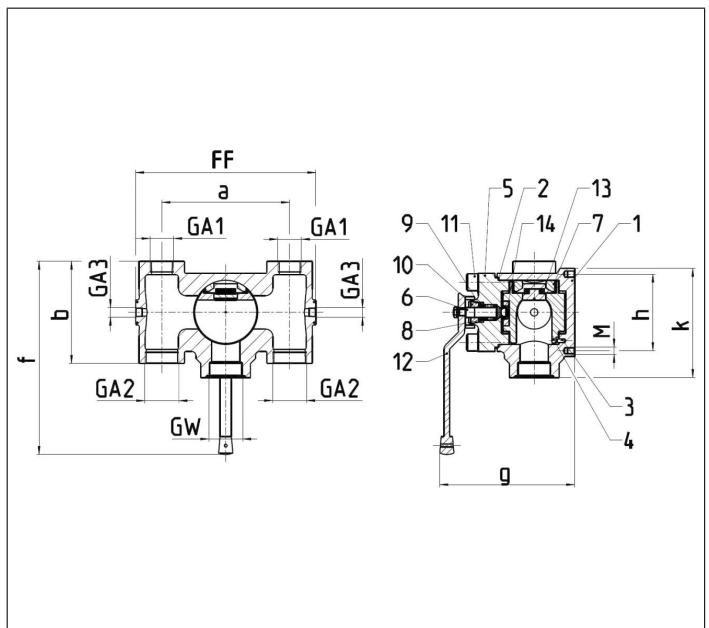
Approved for air gases, vapours and cryogenic liquefied gases incl. LNG.

Working temperature: -196°C / -321°F (77K) up to +120°C / +248°F (393K)

For O<sub>2</sub>-applications: Up to 60°C / 140°F (333K): maximum oxygen pressure up to 40 bar

From 60°C / 140°F (333K): maximum oxygen pressure up to 25 bar

Materials	DIN EN	ASTM
1 Body	CC491K	C83600
2 Seal	PTFE	
3 Pin	1.4301	304
4 Cock plug	CW614N	C38500
5 Upper part	CC491K	C83600
6 Stem	1.4301	304
7 Seal	PTFE	
8 Gland packing	Graphite / PTFE	
9 Disc spring	1.4310	301
10 STB screw	CW614N	C38500
11 Screw	1.4301	304
12 Lever	1.4308	CF8
13 Disc spring	1.4568	631
14 Spring	Cu	C11000



Type 7111 - Standard design	Technical Data						
Nominal Size	DN	32	32	32	32	32	32
Dimension code	.X.	FN14000. D3001	FN12000. D3002	FN10000. D3003	FG14000. D3005	FG12000. D3006	FG10000. D3007
Inlet	GW	1-1/2 NPT	1-1/4 NPT	1 NPT	1-1/2 G	1-1/4 G	1 G
Outlet	GA <sub>1</sub>	1	3/4	1/2	1	3/4	1/2
Outlet	GA <sub>2</sub>	1	3/4	1/2	1	3/4	1/2
Test connection	GA <sub>3</sub>	1/4	1/4	1/4	1/4	1/4	1/4
Face-to-face dimension	FF	180	180	180	180	180	180
Length	a	125	125	125	125	125	125
Height	b	94	94	94	94	94	94
Length	f	247	247	247	247	247	247
Length	g	154	154	154	154	154	154
Length	h	82	82	82	82	82	82
Length	k	113	113	113	113	113	113
Weight	ca. kg	5.6	5.6	5.6	5.6	5.6	5.6
Kvs - Value, one side open	m <sup>3</sup> /h	22.8	16.0	10.0	22.8	16.0	10.0
Cv - Value, one side open	gal /min	26.5	18.6	11.6	26.5	18.6	11.6
Kvs - Value, both sides open	m <sup>3</sup> /h	43.7	33.0	20.0	43.7	33.0	20.0
Cv - Value, both sides open	gal /min	50.8	38.4	23.3	50.8	38.4	23.3

Dimensions in mm.

# Changeover Valves

## Type 7111 - Diverter-Plug-Valve



Type 7111 - Standard design		Technical Data			
Nominal Size	DN	50	50	50	50
Dimension code	.X.	FN14000. D5001	FN20000. D5004	FG14000. D5005	FG20000. D5008
Inlet	GW	1-1/2 NPT	2 NPT	1-1/2 G	2 G
Outlet	GA <sub>1</sub>	1	1-1/2	1	1-1/2
Outlet	GA <sub>2</sub>	1	1-1/2	1	1-1/2
Test connection	GA <sub>3</sub>	1/4	1/4	1/4	1/4
Face-to-face dimension	FF	254	254	254	254
Length	a	180	180	180	180
Height	b	144	144	144	144
Length	f	272	272	272	272
Length	g	190	190	190	190
Length	h	108	108	108	108
Length	k	124	124	124	124
Weight	ca. kg	16.9	16.9	16.9	16.9
Kvs - Value, one side open	m <sup>3</sup> /h	25.3	49.5	25.3	49.5
Cv - Value, one side open	gal /min	29.3	57.4	29.3	57.4
Kvs - Value, both sides open	m <sup>3</sup> /h	47.0	114.0	47.0	114.0
Cv - Value, both sides open	gal /min	54.5	132.2	54.5	132.2

Dimensions in mm.

### Spare Parts Diverter-Plug-Valve:

Spare Part Kit Cock Plug Seal DN32

**Part No. 30003.0002.0000**

Spare Part Kit Cock Plug Seal DN50

**Part No. 30003.0002.0001**

Spare Part Kit Gland Packing DN32/DN50

**Part No. 30003.0001.0000**