

Globe Valves

Type 11C01 - Globe Valve FullX



Top Entry Cryogenic-Globe Valves, PN63

Stainless steel body and topwork,
 "live loaded" gland packing
 "cleaned and degreased for oxygen service"

Butt weld connection for stainless steel pipes acc. to ISO 1127

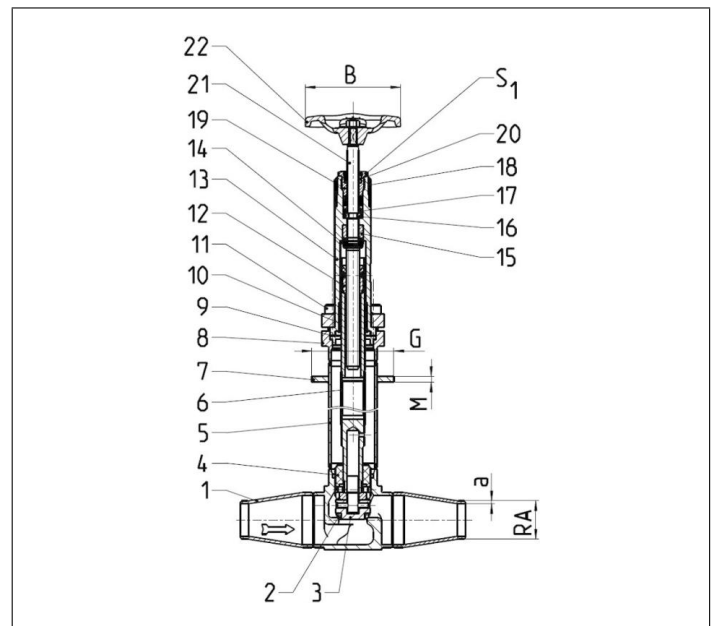
Available options - on request only:
 · Further connection types



Applications:

Approved for hydrogen, air gases, vapours and cryogenic liquefied gases.
 Working temperature: -269°C / -452°F (4K) up to +80°C / +176°F (353K)

Materials	DIN EN	ASTM
1 Body	1.4571	A 313 Grade 316TI
2 Valve seal	PCTFE	
3 Disc	1.4571	A 313 Grade 316TI
4 Guide	PTFE / Carbon filled (25%)	
5 Tube	1.4571	A 313 Grade 316TI
6 Hollow stem	1.4571	A 313 Grade 316TI
7 Collar	1.4404	A 276 Grade 316L
8 Flange	1.4404	A 276 Grade 316L
9 Bonnet gasket	PTFE	
10 Bushing	CW452K	B 159 UNS C51900
11 Bolt	A4-70	A 194 B8M
12 Threaded bushing	CW452K	B 159 UNS C51900
13 Head piece	1.4404	A 276 Grade 316L
14 Ball bearing	1.4125	440C
15 Sliding bushing	CW452K	B 159 UNS C51900
16 Stem ring	CW452K	B 159 UNS C51900
17 Gasket	PTFE / Carbon filled (25%)	
18 Cap	PVC	
19 Gland bolt	1.4404	A 276 Grade 316L
20 Wiper	PEEK	
21 Stem	1.4404	A 276 Grade 316L
22 Handwheel	1.4409	A 351 CF3M



Standard marking acc. to Pressure Equipment Directive 2014/68/EU (PED).



Technical Data - Standard design

Nominal size	Collar-Ø (G) [mm]	Length (M) [mm]	Handwheel-Ø (B) [mm]	Wrench size across flats (S ₁) [mm]	Outside pipe-Ø ISO (RA) [mm]	Wall thickness pipe ISO (a) [mm]
20	72	5	100	22	26.9	2.3
25	72	5	100	22	33.7	2.6
50	109	5	100	22	60.3	2.9

Globe Valves

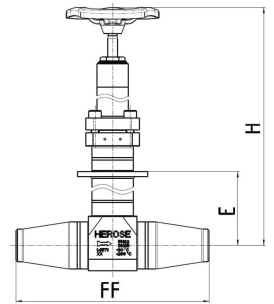
Type 11C01 - Globe Valve FullX

Body types



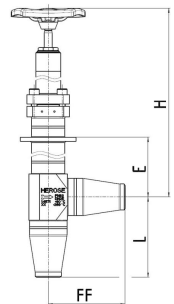
Straight body

DN	Face-to-face dim. (FF) [mm]	Height (H) [mm]	Length (E) [mm]	Kvs-value [m ³ /h]	Cv-value [gal/min]	Weight [ca.kg]
20	198	560	330	9.8	11.4	3.80
25	198	560	330	12.3	14.3	3.90
50	288	665	411	44.0	51.2	9.70



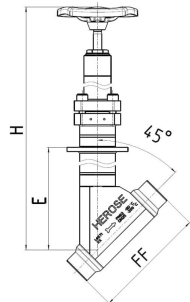
Body angle type

DN	Face-to-face dim. (FF) [mm]	Height (H) [mm]	Length (E) [mm]	Length (L) [mm]	Kvs-value [m ³ /h]	Cv-value [gal/min]	Weight [ca.kg]
20	99	560	330	104	19.8	23.0	3.70
25	99	560	330	104	22.3	25.9	3.80
50	144	665	411	149	80.0	93.0	9.40



Body Y type

DN	Face-to-face dim. (FF) [mm]	Height (H) [mm]	Length (E) [mm]	Kvs-value [m ³ /h]	Cv-value [gal/min]	Weight [ca.kg]
20	135	605	375	11.9	13.8	4.10
25	135	605	375	14.4	16.7	4.20
50	170	715	461	69.8	81.1	9.40



Configurable options

For configurable types, the HEROSE part number consists as follows:

Type	Series	Dimension code	Option codes
11C01.	A001.	0250.	ESR-MYJ-CBQ-YGH-KCZ-JRB-LYV-YJK-HTW-NHH
1	2	3	4 up to 13

Selection of the type					Type
1	Type	Product group	Market segment	Valve design	Product approval
		Globe Valve FullX	Cryogenic	Top Entry	PED

Selection of the series				Series	
2	Series	increased external tightness	medium pressure rating	additional approval not selected	A001

Selection of the nominal size		Dimension code	
3	Nominal sizes	DN20	0200
		DN25	0250
		DN50	0500

Selection of options		Option codes	
4	Pressure rating	PN63	ESR

5	Approvals	PED DIN EN 1626	MYJ

6	Body types	Body angle type	CBQ
		Straight body	HJC
		Body Y type	PYU

7	Connections	Nominal size	Body type	Connection type value inlet/outlet	Outside pipe- \varnothing ISO (RA) [mm]	Wall thickness pipe ISO (a) [mm]	Connection extension inlet/outlet	
		DN20	Body angle type	Butt weld	26.9	2.3	not selected	YWV
		DN20	Straight body	Butt weld	26.9	2.3	not selected	NKQ
		DN20	Body Y type	Butt weld	26.9	2.3	not selected	GXL
		DN25	Body angle type	Butt weld	33.7	2.3	not selected	YGH
		DN25	Straight body	Butt weld	33.7	2.3	not selected	ZCS
		DN25	Body Y type	Butt weld	33.7	2.3	not selected	ANH
		DN50	Body angle type	Butt weld	60.3	2.9	not selected	PJS
		DN50	Straight body	Butt weld	60.3	2.9	not selected	APJ
		DN50	Body Y type	Butt weld	60.3	2.9	not selected	RSU

8	Disc function	lockable	KCZ

9	Handwheel options	Material 1.4409	silver (natural)	JRB

10	Bellow options	not selected	LYV
-----------	-----------------------	--------------	-----

11	Collar options	Nominal size	Body type	Collar diameter dimension (G) [mm]	Collar form	Collar height (M) [mm]	Collar position (E) [mm]	Collar thickness (C) [mm]	
		DN20/25	Body angle type/ Straight body	72.0	Washer, circular, unperforated	5.0	330.0	5.0	YJK
DN20/25	Body Y type	72.0	Washer, circular, unperforated	5.0	375.0	5.0	CHD		
DN50	Body angle type/ Straight body	109.0	Washer, circular, unperforated	5.0	411.0	5.0	KPD		
DN50	Body Y type	109.0	Washer, circular, unperforated	5.0	461.0	5.0	DRJ		

12	Material selection	Body material 1.4571	Sealing material made out of PCTFE	HTW
-----------	---------------------------	-------------------------	---------------------------------------	-----

13	Valve height	Nominal size	Body type	Bonnet extension	Valve height (H) [mm]	
		DN20/25	Body angle type/ Straight body	with	560.0	NHH
DN20/25	Body Y type	with	605.0	JSC		
DN50	Body angle type/ Straight body	with	665.0	PFN		
DN50	Body Y type	with	715.0	RXV		