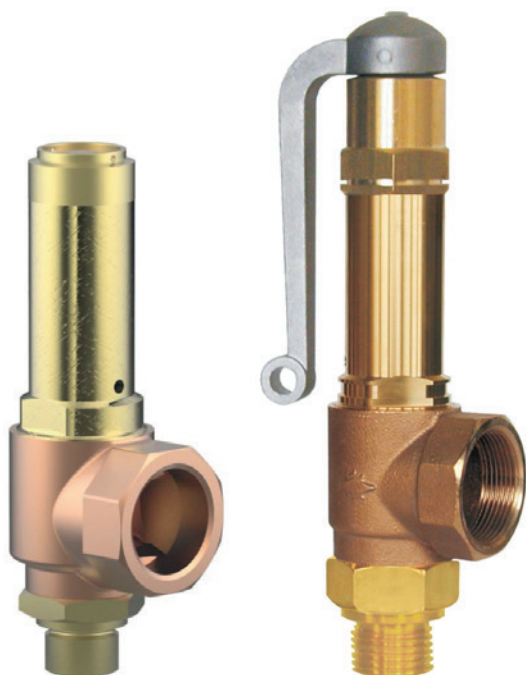


Product Specifications

Type 06395



Type 06395
with cap

Type 06395
with lifting device

HEROSE Safety Valve Type 06395

Safety Valves, angle type, bronze
Type tested, TÜV-SV.910. Steam / Gas

Specification highlights

- Standard safety valve
- Metal to metal seated and soft seated
- Various sealing options
- Open bonnet
- Cap or lifting device
- Inlet: male thread type G (BSPP) acc. to ISO 228/ and type R acc. ISO 7/1
- Outlet: female thread type G (BSPP) acc. to ISO 228/1

On request only

- NPT- or Tri-Clamp connection for inlet
- Stainless steel inlet body
- External parts nickel plated

Applications & branches

#Gas Stations	#Pressure Vessels	#Gas Cylinders
#Food	#Medical	#Compressed Air
#Chemical	#General Industry	#Pharma
		#Steam

Working temperature

Metal to metal: -50°C (223K / -58°F) up to +225°C (498K / +437°F)

PTFE/carbon filled: -50°C (223K / -58°F) up to +185°C (458K / +365°F)

EPDM: -40°C (233K / -40°F) up to +150°C (423K / +302°F)

Max. pressure | 06395 with cap

Part No. 06395.X.0000	(Pmax 25.0 bar) metal to metal
Part No. 06395.X.0500	(Pmax 25.0 bar) PTFE/carbon filled valve seal
Part No. 06395.X.0600	(Pmax 3.0 bar) EPDM valve seal

Max. pressure | 06395 with lifting device

Part No. 06395.X.0080	(Pmax 25.0 bar) metal to metal
Part No. 06395.X.0580	(Pmax 25.0 bar) PTFE/carbon filled valve seal
Part No. 06395.X.0680	(Pmax 3.0 bar) EPDM valve seal

Certifications & Quality standards

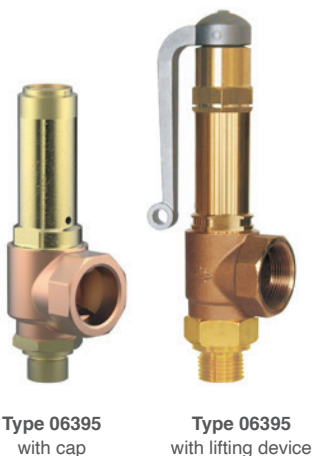
- TÜV-SV.910.
Type tested Steam / Gas
- ISO 228/1
Inlet, male thread type G and outlet, female thread type G (BSPP)
- ISO 7/1
Inlet, male thread type R
- **Discharge capacity**
Calculation of flow rate acc. to AD2000-Merkblatt / DIN EN ISO 4126-1



- 2014/68/EU (PED)
Standard marking acc. to Pressure Equipment Directive.

Product Specifications

Type 06395



Type 06395
with cap

Type 06395
with lifting device

Materials and spare parts

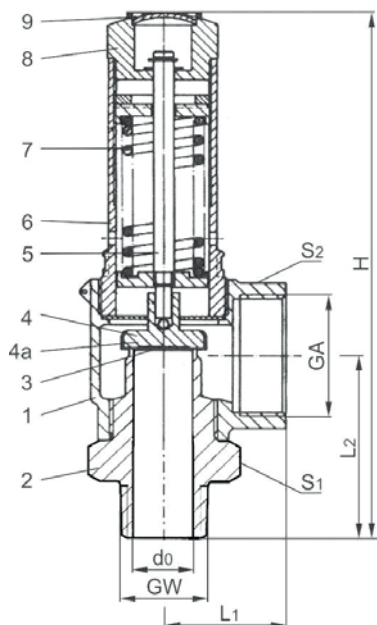
Provided as safety device for protection against excessive pressure in gas cylinders and pressure vessels. Approved for gases and vapours.

Essentials



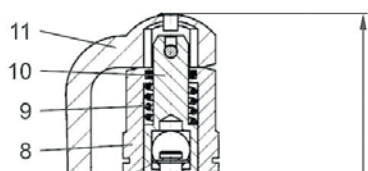
Valves are delivered at a set pressure, therefore when ordering please confirm set pressure.

Type 06395



	Materials	DIN EN	ASME/ASTM
1	Body	CC491K	B 62 UNS C83600
2	Inlet body	CW614N	B 111 UNS C28000
3	Valve seal	PTFE/Carbon filled or EPDM	
4	Disc (metal to metal seated)	1.4541	A 276 Grade 321
4a	Disc soft seated	CW614N	B 249 UNS C38500
5	Stem	CW614N	B 249 UNS C38500
6	Bonnet	CW614N	B 249 UNS C38500
7	Spring	1.4571	A 313 Grade 316Ti
8	Lifting device	CW614N	B 249 UNS C38500
9	Closing cap	CW507L	B 36 UNS C26800

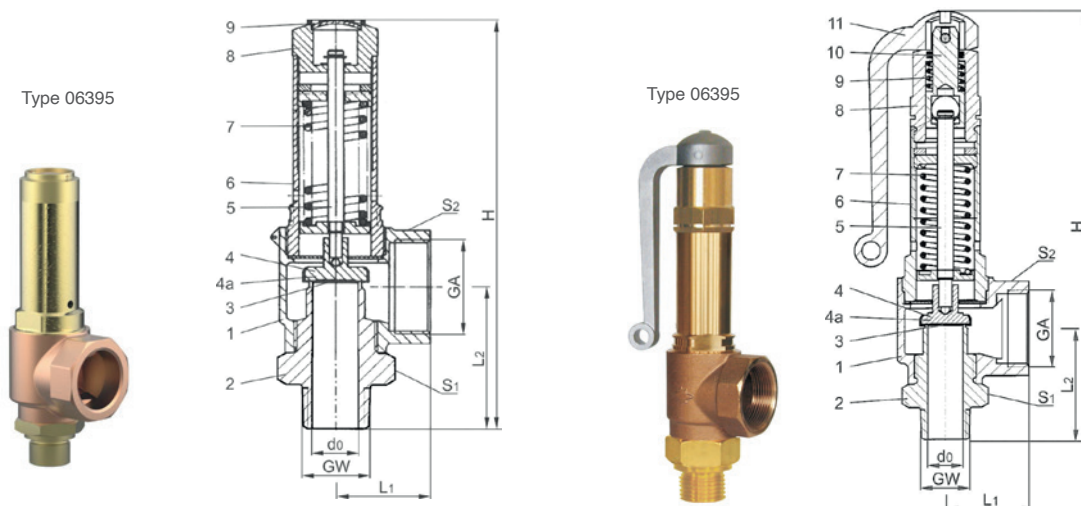
Type 06395



	Materials	DIN EN	ASME/ASTM
8	Lifting cap	CW614N	B 249 UNS C38500
9	Lifting spring	1.4571	A 313 Grade 316Ti
10	Lifting stem	CW614N	B 249 UNS C38500
11	Lever	1.4408	A 351 CF8M

Product Specifications

Type 06395



How to compose your order code?

Select from the table below: *Type number* ① + . (dot) + *Size number* ② + . (dot) + *Inlet connection type (first digit)* ③ + *Sealing type (second digit)* ④ + *Lifting type (third digit)* ⑤ + 0 (zero, fourth digit)

(For example: 06395.0600.2580)

*HEROSE made a preselection in material use, based on the Orifice and Nominal size of the inlet and outlet of the safety valves.

Type 06395	Type number ①	Size number ②								
Dimension code	06395	0400	0600	1000	1200					
Inlet connection type ③										
2XXX	male thread type G (BSPP) acc. to ISO 228 1)	-	-	-	-					
3XXX	male thread type R acc. ISO 7/1	-	-	-	-					
Sealing Type ④	Sealing	Set pressure range (bar)								
X0XX	metal to metal	0.5-25	0.5-25	0.5-25	0.5-25	0.5-12				
X5XX	PTFE/carbon filled	0.5-25	0.5-25	0.5-25	0.5-25	0.5-12				
X6XX	EPDM	0.5-3	0.5-3	0.5-3	0.5-3	0.5-3				
Lifting Type ⑤										
XX0X	cap	0	-	0	-	0	-	0	-	
XX8X	lifting device	-	8	-	8	-	8	-	8	
Technical data										
Orifice	d ₀ in mm	15.0	15.0	18.0	18.0	23.0	23.0	28.0	28.0	
Nominal size (inlet)	GW - BSPP female	1/2	1/2	3/4	3/4	1	1	1 1/4	1 1/4	
Outlet	GA - BSPP male	1	1	1 1/4	1 1/4	1 1/2	1 1/2	2	2	
Height	H in mm	151	187	177	209	206	256	236	284	
Length	L ₁ in mm	36	36	50	50	48	48	58	58	
Length	L ₂ in mm	48	48	59	59	69	69	82	82	
Weight	ca. kg	0.755	0.955	1.3	1.5	1.95	2.5	3.15	3.85	
Coeff. of discharge gases, vapours	α	0.64	0.64	0.58	0.58	0.57	0.57	0.66	0.66	

Product Specifications

Type 06395

Discharge capacities

Calculation of flow rate acc. to AD2000-Merkblatt A2 / DIN EN ISO 4126-1

The capacity indicated below is for a fully opened valve.

Medium

Saturated steam in kg/h

Air in m³/h at 0°C and 1013,25 mbar

GW	1/2	3/4	1	1-1/4	1/2	3/4	1	1-1/4
d ₀ in mm	15.0	18.0	23.0	28.0	15.0	18.0	23.0	28.0
A ₀ in mm ²	176.7	254.5	415.5	615.5	176.7	254.5	415.5	615.5
Set pressure in bar (g)								
0.5	92	130	204	335	76	108	169	277
1.0	142	197	317	522	113	158	253	418
2.0	235	317	509	862	186	250	402	681
3.0	333	434	697	1196	260	339	544	934
4.0	417	545	875	1501	324	423	679	1165
5.0	503	657	1055	1810	388	507	813	1396
6.0	589	768	1233	2116	452	590	946	1624
7.0	674	879	1411	2422	515	672	1079	1852
8.0	761	993	1594	2736	578	755	1211	2079
9.0	846	1105	1773	3043	641	837	1343	2306
10.0	934	1219	1956	3356	704	919	1475	2532
12.0	1105	1442	2314	3971	830	1083	1738	2984
14.0	1276	1665	2672	-	955	1247	2001	-
16.0	1447	1888	3030	-	1081	1411	2264	-
18.0	1618	2112	3389	-	1206	1573	2525	-
20.0	1806	2357	3783	-	1331	1737	2788	-
22.0	1979	2583	4144	-	1456	1900	3050	-
24.0	2152	2808	4506	-	1583	2065	3314	-
25.0	2238	2921	4687	-	1643	2145	3442	-