

# Product Specifications

## Type 06380



Type 06380

## HEROSE Safety Valve Type 06380

**Safety Valves, angle type, bronze**  
Type tested, TÜV-SV.749. Steam / Gas

### Specification highlights

- Standard safety valve
- Soft valve seal
- Open bonnet
- Lifting device
- Inlet: female thread type G (BSPP) acc. to ISO 228/1
- Outlet: female thread type G (BSPP) acc. to ISO 228/1

### On request only

Stainless steel spring - material 1.4571, external parts nickel plated

### Applications & branches

#Pressure Vessels	#Gas Cylinders	#Food
#Medical	#Compressed Air	#Steam
#Chemical	#General Industry	#Pharma

### Working temperature

FPM & PTFE: -10°C / +14°F (263K) up to +185°C / +365°F (458K)

EPDM: -10°C / +14°F (263K) up to +135°C / +275°F (408K)

### Max. pressure | 06380

Part No. 06380.X.0000 (Pmax 20.0 bar) with FPM valve seal

Part No. 06380.X.0300 (Pmax 20.0 bar)<sup>1</sup> with PTFE valve seal

Part No. 06380.X.0600 (Pmax 8.0 bar)<sup>2</sup> with EPDM valve seal

<sup>1</sup> Saturated steam from 2.0 bar up to 10.0 bar

<sup>2</sup> Saturated steam from 0.2 bar up to 3.7 bar

### Certifications & Quality standards

- TÜV-SV.749.  
Type tested Steam / Gas
- ISO 228/1  
Inlet, male thread type G and outlet,  
female thread type G (BSPP)
- **Discharge capacity**  
Calculation of flow rate acc. to AD2000-Merkblatt /  
DIN EN ISO 4126-1



- 2014/68/EU (PED)  
Standard marking acc. to Pressure  
Equipment Directive.

# Product Specifications

## Type 06380



Type 06380

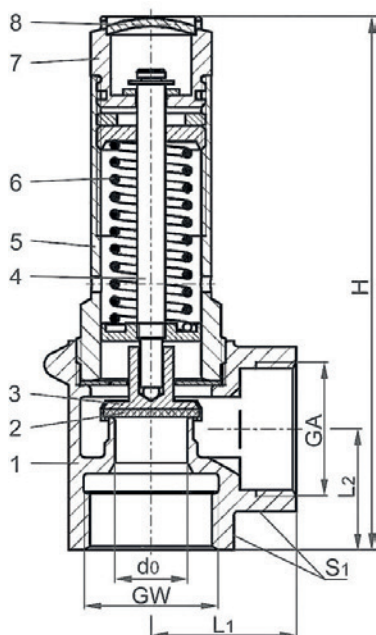
## Materials and spare parts

Provided as safety device for protection against excessive pressure in gas cylinders and pressure vessels. Approved for gases and vapours.

### Essentials

! Valves are delivered at a set pressure, therefore when ordering please confirm set pressure.

Type 06380

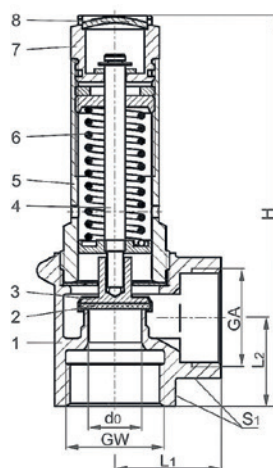


	Materials	DIN EN	ASME/ASTM
1	Body	CC491K	B 62 UNS C83600
2	Valve seal	FPM, PTFE or EPDM	
3	Disc	CW614N	B 249 UNS C38500
4	Stem	CW614N	B 249 UNS C38500
5	Bonnet	CW614N	B 249 UNS C38500
6	Spring	1.1200	A 227
7	Lifting device	CW614N	B 249 UNS C38500
8	Closing cap	CW507L	B 36 UNS C26800

# Product Specifications

## Type 06380

Type 06380



### How to compose your order code?

Select from the table below: *Type number* ① + . (dot) + *Size number* ② + . (dot) + *Sealing Type number* ③  
 (For example: 06380.1000.0300)

\*HEROSE made a preselection in material use, based on the Orifice and Nominal size of the inlet and outlet of the safety valves.

Type 06380	Type number ①	Size number ②					
Dimension code	06380	0400	0600	1000	1200	1400	2000
Sealing Type ③	Sealing	Set pressure range (bar)					
Type 0000	FPM seal	0.2-20	0.2-20	0.2-20	0.2-20	0.2-16	0.2-16
Type 0300	PTFE seal	0.2-20	0.5-20	0.2-20	0.4-20	0.2-16	1.0-16
Type 0600	EPDM seal	0.2-8	0.2-8	0.2-8	0.2-8	0.2-8	0.2-8
<b>Technical data</b>							
Orifice	d <sub>0</sub> in mm	12	15	18	20	24	28
Nominal size (inlet)	GW - BSPP female	1/2	3/4	1	1-1/4	1-1/2	2
Outlet	GA - BSPP male	1/2	3/4	1	1-1/4	1-1/2	2
Height	H in mm	99	111	132	152	175	200
Length	L <sub>1</sub> in mm	25	30	36	40	48	56
Length	L <sub>2</sub> in mm	22	25	30	35	40	48
Wrench size across flats	S <sub>1</sub> in mm	27	32	41	50	58	70
Weight	ca. kg	0.24	0.40	0.70	1.07	1.65	2.65
Coeff. of discharge from 3.0 bar	α <sub>w</sub>	0.47	0.37	0.52	0.57	0.52	0.50

