

Standard strokes 40 mm and 100 mm

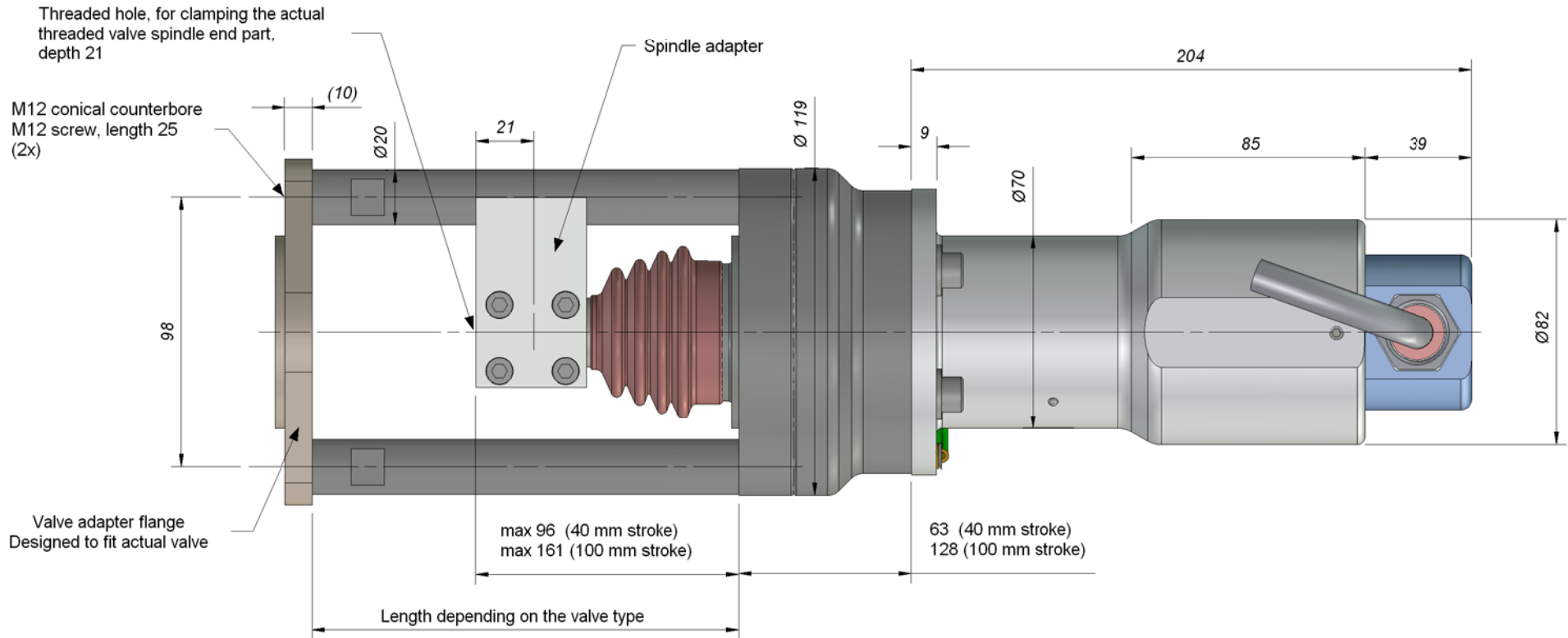


This document must not be copied, either completely or in part, without our permission. Any infringement will lead to legal proceedings.
Oden Control AB (publ.) org.nr. 556 529-7057

Oden Control AB
Nilstorpsvägen 53 181 47 Lidingö, Sweden
Phone +46-8-767 76 51 Fax +46-8-767 47 18
E-mail oden@odencontrol.se www.odencnrol.se

**P30L1 linear
actuator**
(ID1-drawing)

Dat./rev.nr	2006.07.10
Sheet	1
Doc.Nr	P30.111



Standard strokes 40 mm and 100 mm

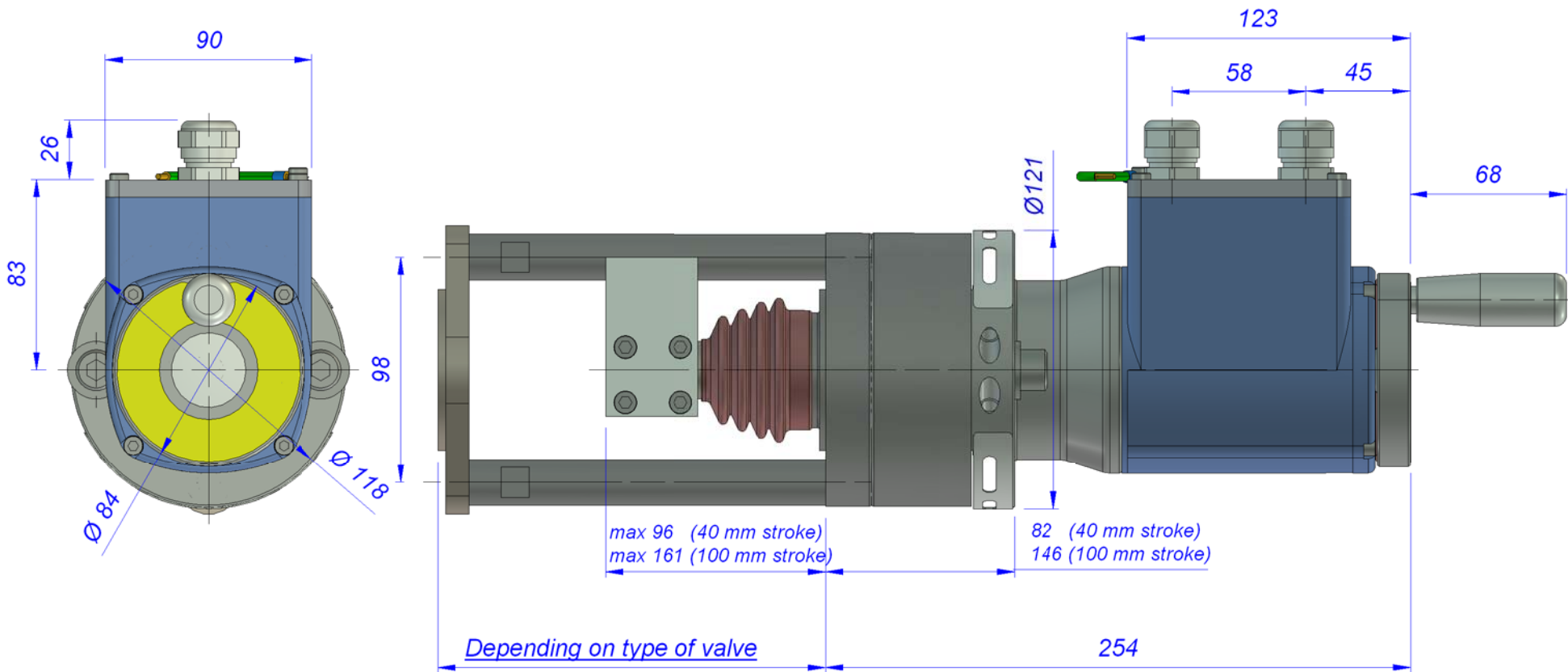


This document must not be copied, either completely or in part, without our permission. Any infringement will lead to legal proceedings.
Oden Control AB (publ.) org.nr. 556 529-7057

Oden Control AB
Nilstorpsvägen 53 181 47 Lidingö, Sweden
Phone +46-8-767 76 57 Fax +46-8-767 47 18
E-mail oden@odencontrol.se www.odencontrol.se

P30EXL1 linear actuator
(ID1-drawing)

Dat./rev.nr	2006.07.10
Sheet	1
Doc.Nr	P30.112



Oden Control AB

Nilstorpsvägen 53 181 47 Lidingö, Sweden
 Phone +46-8-767 76 57 Fax +46-8-767 47 18
 E-mail oden@odencontrol.se www.odencontrol.se

Title

P50L
linear actuator
(ID1-drawing)

Dat./rev.nr

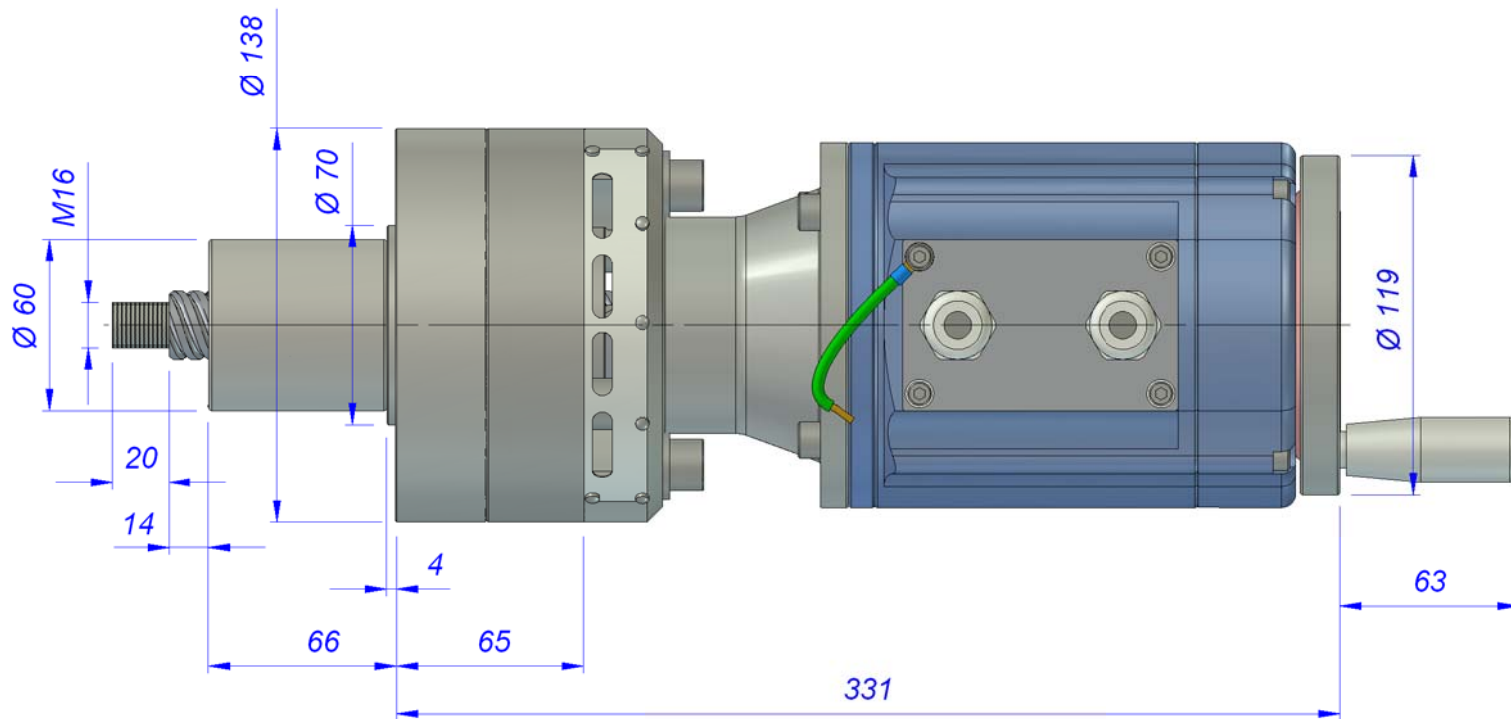
2006.06.15

Sheet

1

Doc.Nr

P50.021



Oden Control AB
 Nilstorpsvägen 53 181 47 Lidingö, Sweden
 Phone +46-8-767 76 57 Fax +46-8-767 47 18
 E-mail oden@odencontrol.se www.odencontrol.se

Title
P220L
linear actuator
 (ID1-drawing)

Dat./rev.nr	2006.06.13
Sheet	1
Doc.Nr	P220.041